

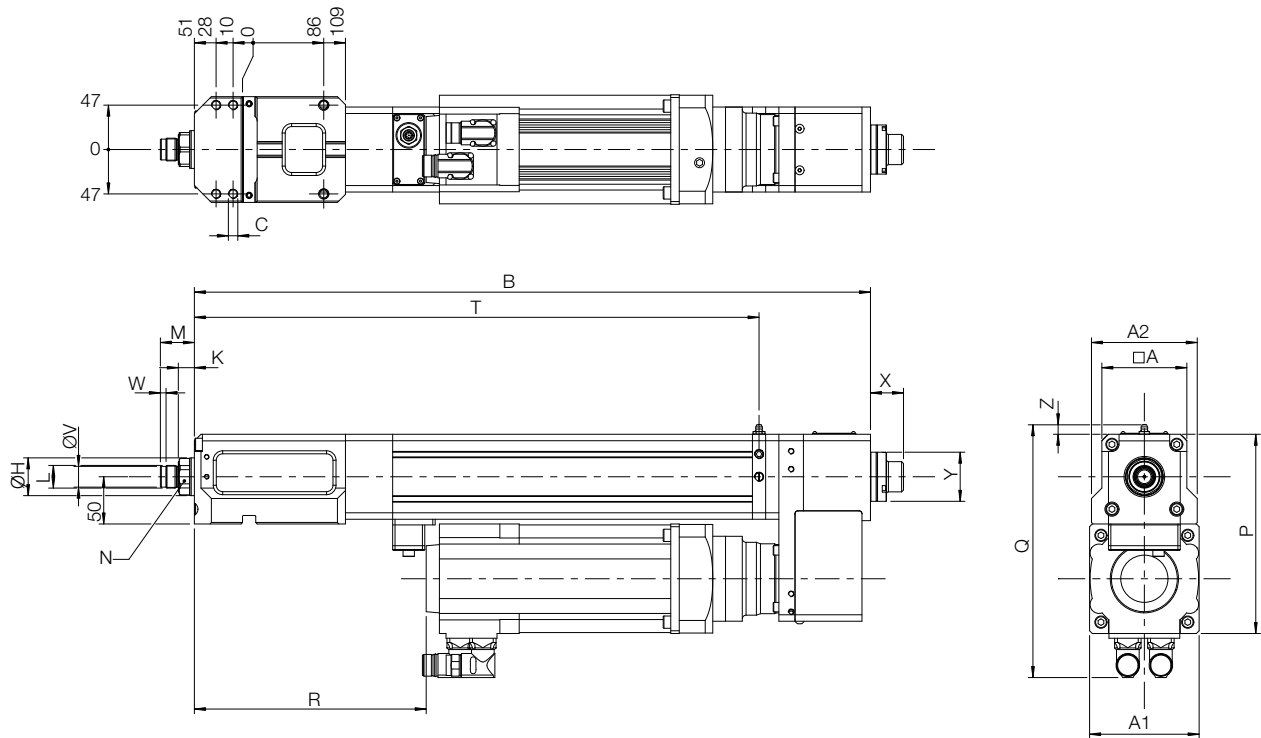
TOX®-ElectricDrive Type EPMR

Data sheet 40.80
2019/09



TOX®-Electric Power Module

Type EPMR 55 kN/80 kN, version 503 for clinching applications



Dimensions and weights

Type	Stroke mm	Max. nominal force kN	Weight approx. kg
EPMR 055.503.150.001.150	150	55	45
EPMR 080.503.150.001.150	150	80	71

Type	A	A1	A2	B	C	ØH	K ⁽¹⁾	L	M ⁽¹⁾	N ⁽¹⁾	P	Q	R	T	V _{g6}	W	X	Y	Z
EPMR 055.503.150.001.150	90	116	112	716	6xM10	40	17	M24x1.5	36	36	211	268	245	598	22	6	35	52	10
EPMR 080.503.150.001.150	105	120	112	821	6xM10	50	17	M24x1.5	36	41	255	295	235	666	22	6	43	66	10

Dimensions in mm

Specifications EPMR	055.503	080.503
Mechanical		
Nominal pressing force	55 kN	80 kN
Nominal pulling force	17 kN	17 kN
Stroke ²⁾	150/200 mm	150/200 mm
Max. speed ²⁾	200 mm/s	200 mm/s
Repeatability ³⁾	< ± 0,01 mm	
Sensors		
Measuring range force transducer ⁴⁾	2.75 – 55 kN	4 – 80 kN
Accuracy	< +/- 1 % of nominal pressing force	
Resolver	■	■
Resolution (theoretically)	0.00106 mm	0.00148 mm
Electrical		
Protection class ⁵⁾	Drive IP54 (as component)	
Mains supply	see servo controller	
Climatic conditions	+ 10° to + 40° C, from 40 °C performance loss, max. 55° C; air moisture < 75 %, without condensation	

¹⁾ Dimension refers to zero position of drive. Reference position = zero position - 3 mm.

²⁾ Specials on request (colour, stroke, speed, ...)

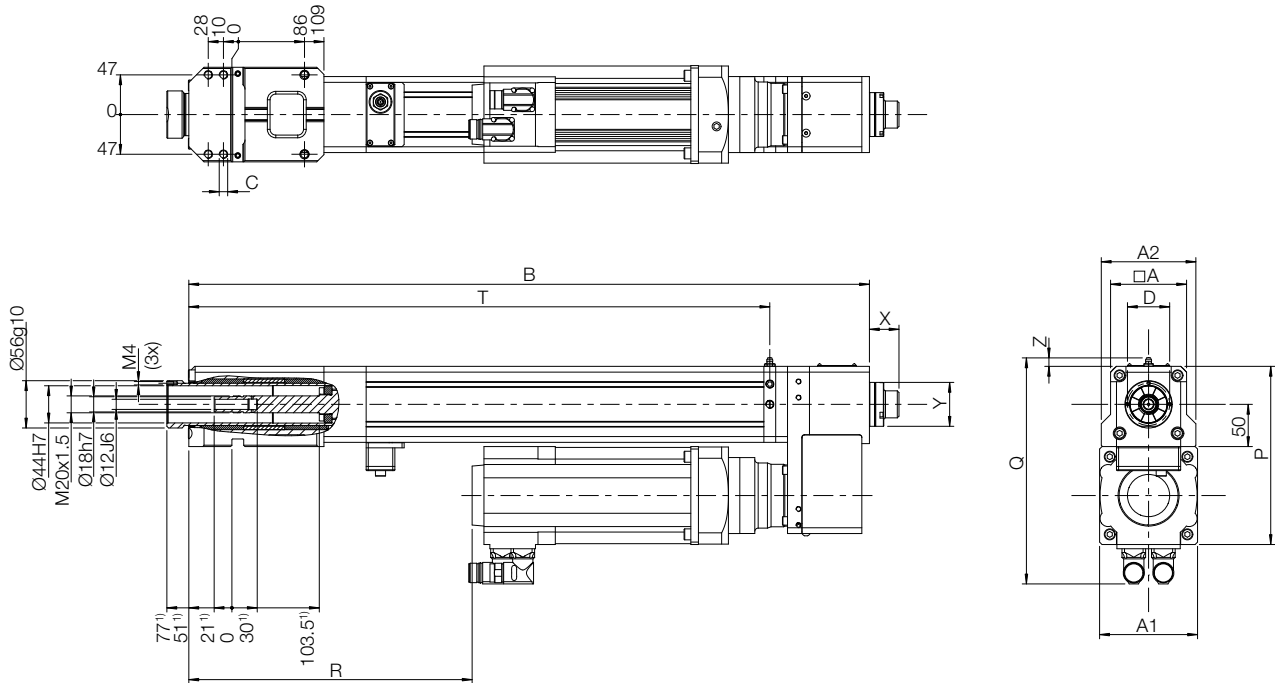
³⁾ In thermal transient condition

⁴⁾ Recommended operating range 5 – 80 %

⁵⁾ Optional: protection class IP65

TOX[®]-Electric Power Module

Type EPMR 55 kN / 80 kN, version 703 for riveting applications



Dimensions and weights

Type	Stroke mm	Max. nominal force kN	Weight approx. kg
EPMR 055.703.240.001.240	240	55	47
EPMR 080.703.240.001.240	240	80	73

Type	A	A1	A2	B	C	D	P	Q	R	T	X	Y	Z
EPMR 055.703.240.001.240	90	116	112	806	6xM10	50	211	268	335	688	35	52	10
EPMR 080.703.240.001.240	105	120	112	911	6xM10	50	255	295	417	756	43	66	10

Dimensions in mm

Specifications EPMR	055.703 ⁶⁾	080.703 ⁶⁾
Mechanical		
Nominal pressing force	55 kN	80 kN
Nominal pulling force	5 kN	5 kN
Stroke ²⁾	240/300 mm	240/300 mm
Maximum stroke external ²⁾	170/230 mm	170/230 mm
Stroke internal ²⁾	70 mm	70 mm
Repeatability ³⁾	250 mm/s	200 mm/s
Max. speed ³⁾	< ± 0,01 mm	
Sensors		
Measuring range force transducer ⁴⁾	2.75 – 55 kN	4 – 80 kN
Accuracy	< +/- 1 % of nominal pressing force	
Resolver	■	■
Resolution (theoretically)	0.00106 mm	0.00148 mm
Electrical		
Protection class ⁵⁾	Drive IP54 (as component)	
Mains supply	see servo controller	
Climatic conditions	+ 10° to + 40° C, from 40° C performance loss, max. 55° C; air moisture < 75 %, without condensation	

¹⁾ Dimension refers to zero position of drive. Reference position = zero position - 3 mm.

²⁾ Specials on request (colour, stroke, speed, ...)

³⁾ In thermal transient condition

⁴⁾ Recommended operating range 5 – 80 %

⁵⁾ Optional: protection class IP65

⁶⁾ Guide tube without anti-rotation lock