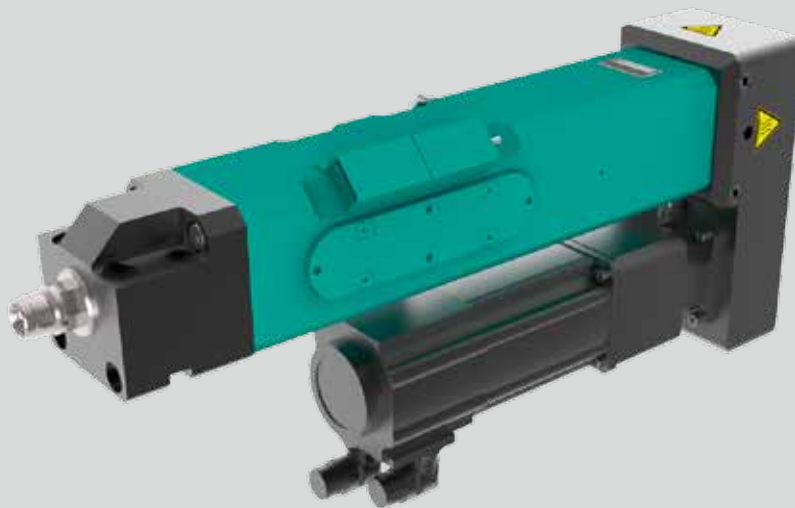


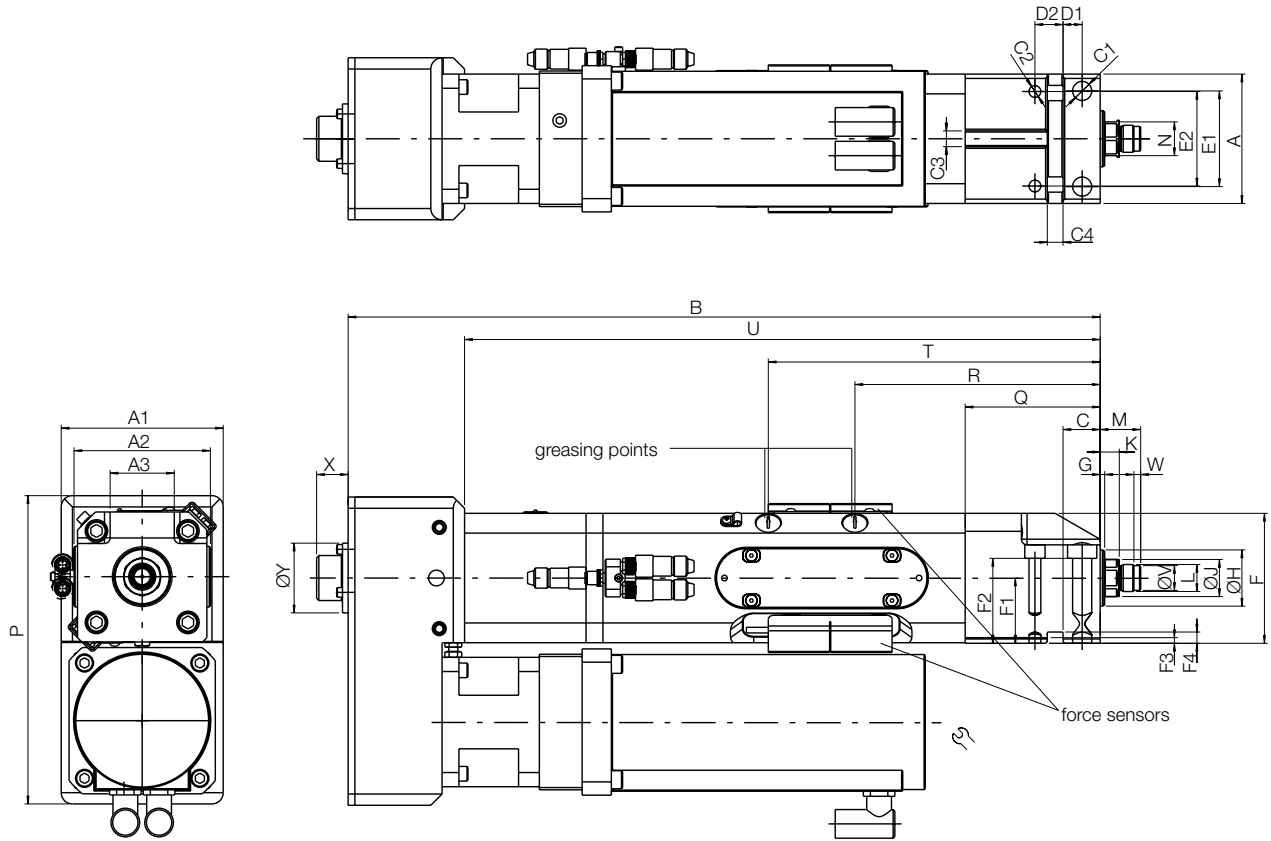
# TOX®-ElectricDrive Type EPMR

Data sheet 40.30  
2016/09



# TOX<sup>®</sup>-Electric Power Module

## EPMR 55 kN / 100 kN



### Dimensions and weights

Type	Stroke mm	Max. nominal force kN	Weight approx. kg	A	A1	A2	A3	B	C	C1	C2	C3 <sup>H7</sup>	C4 <sup>H7</sup>	D1	D2
EPMR 055.030.100	100	55	38	95	120	105.5	39	567	27	13	9	14	14	15	21
EPMR 100.030.100	100	100	68	115	144	121.5	57	668.5	33	17.5	11	14	14	17	25

Type	E1	E2	F	F1 <sup>+0.02</sup>	F2	F3	F4	G	H	J	K <sup>1)</sup>	L	M <sup>1)</sup>	N <sup>2)</sup>	P	Q	R	T	U	V <sub>96</sub>	W	X	Y
EPMR 055.030.100	60	62	92.5	45	62.5	6	9	4	40	28	18	M24x1.5	37	24	245	83	182	262	484	22	6	28	60
EPMR 100.030.100	85	84	115.5	58	75.5	6	10	4	50	33	17	M24x1.5	36	30	274	120	218	298	565	22	6	28	62

Dimensions in mm

Specifications EPMR	055.030.100	100.030.100
<b>Mechanical</b>		
Nominal pressing force	55 kN	100 kN
Nominal pulling force	16.5 kN	30 kN
Stroke <sup>2)</sup>	100 mm	100 mm
Max. speed <sup>2)</sup>	120 mm/s	120 mm/s
Max. short-term overload	10 % of rated force	
Distance repeatability <sup>3)</sup>	< ± 0.01 mm	
<b>Sensors</b>		
Load cell <sup>4)</sup>	2.75 – 55 kN	5 – 100 kN
Accuracy	< +/- 0.5 % of rated force, pressing	
Resolver	■	■
Resolution (theoretically)	0.00025 mm	0.0003 mm
<b>Electrical</b>		
Protection class	Drive IP54 (as component)	
Mains supply	see servo controller	
Climatic conditions	+ 10° to + 40° C, from 40° C performance loss, max. 55° C; air moisture < 75 %, without condensation	

<sup>1)</sup> Zero position of drive is the reference (marked) position + 3 mm

<sup>2)</sup> Specials on request (colour, stroke, speed, ...)

<sup>3)</sup> In thermal transient condition

<sup>4)</sup> Recommended operating range 5 – 100 %

The tightly toleranced (H7) keyways on the mounting flange provide for precise alignment of the drive with respect to the direction of travel. The height and position of the drive can be precisely adjusted using spacer plates and keys.